

# PI Expert™ Design Tool

Rapidly converts specification into a working design and provides:

- Optimal PI product family to meet design requirements
- Complete schematic and BOM
- Board layout recommendations
- Magnetic design
- Key performance parameter estimates



## Simplify Design of Off-Line Power Supplies

The screenshot displays the PI Expert Online interface. The main area shows a detailed schematic of a flyback power supply. Key components include an InnoSwitch3-EP IC (U1), a transformer (T1), and various passive components like capacitors (C1-C11) and resistors (R1-R12). The output is labeled as 12.0 V, 2.00 A. A specification panel on the right provides the following details:

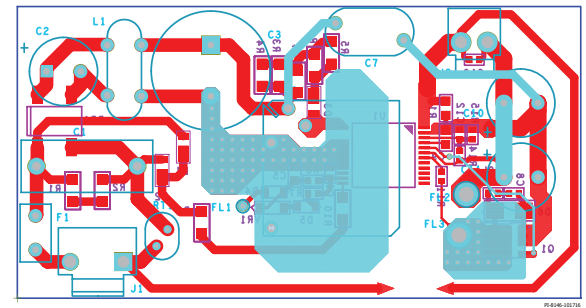
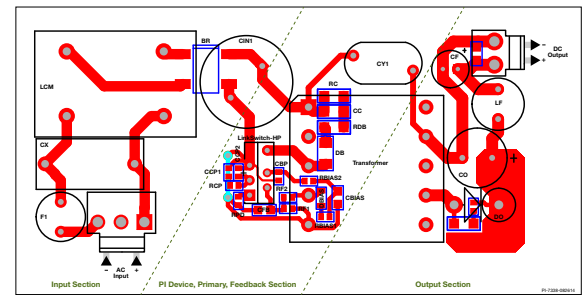
- Topology:** Flyback
- Family:** InnoSwitch3-EP
- Package:** C (inSOP-24D)
- Breakdown Voltage:** 750 (PovGaN)
- Feedback Type:** Secondary Divider
- Line Frequency:** 50
- Input Voltage Type:** Universal (85 - 265 V)
- Use SR on Main Output:** YES
- Total Peak Power:** 24.00
- Current Limit Mode:** Standard

The interface also shows a navigation menu with options like Schematic, Design Results, Board Layout, BOM, Magnetics Designer, Design Evaluation, and Design Notes. A green status bar at the top right indicates "Design Passed (Optimization Done)".

## PI Products Supported

PI Product	PI Expert	PI xls Designer
DPA-Switch™	X	X
Hiper™		X
InnoSwitch™3	X	X
InnoSwitch		X
LinkSwitch™-II, 3, 4, LP, TN, TN2, XT2		X
LinkSwitch-CV, HP, PH, PL, XT	X	X
LinkZero™-AX, LP		X
LYTSwitch™-6	X	X
LYTSwitch-1, 2, 3, 4, 5, 7		X
TinySwitch™-III, 4	X	X
TinySwitch-LT		X
TOPSwitch™-HX, JX	X	X

## Example Board Layout in PI Expert



## Get Started

**Online** Try PI Expert Online ([www.power.com/pi-expert-online](http://www.power.com/pi-expert-online))

**Download** PI Expert Suite Software (for desktop) ([www.power.com/pi-expert-download](http://www.power.com/pi-expert-download))

## Design Support

**Webinar** Introduction to PI Expert Online ([www.power.com/webinar/pi-expert-pt1](http://www.power.com/webinar/pi-expert-pt1))

**Webinar** Magnetics Design in PI Expert Online ([www.power.com/webinar/pi-expert-pt2](http://www.power.com/webinar/pi-expert-pt2))

**Webinar** Advanced Power Supply Design Using PI Expert Online ([www.power.com/webinar/pi-expert-pt3](http://www.power.com/webinar/pi-expert-pt3))