

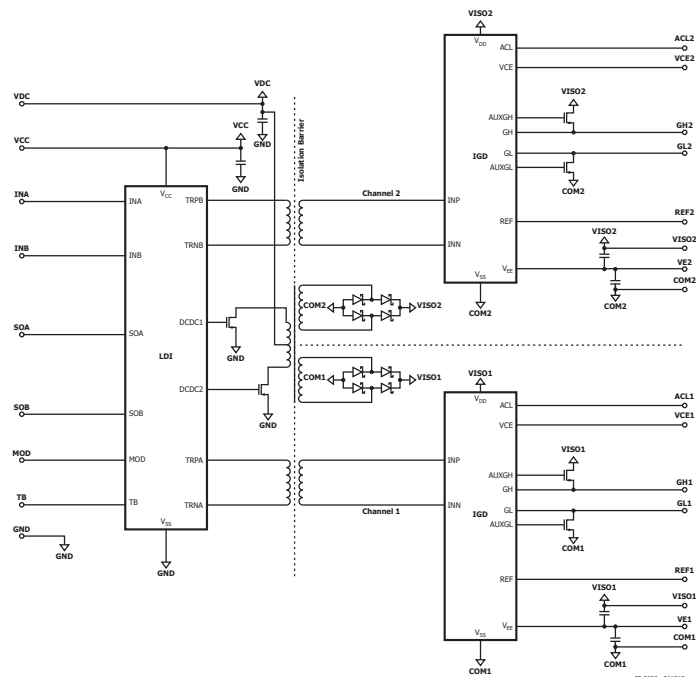
SCALE™ -2+ Gate Driver Core 2SC0435T

- Switching frequency up to 100 kHz
- ±35 A peak output gate current
- 2 x 4 W output power
- Interface for 3.3 V to 15 V logic level
- Direct and half-bridge modes
- Supports two-level and multi-level topologies

E321757



Dual-Channel Gate Driver Core for Blocking Voltages up to 1700 V



Applications

- Photovoltaic and wind power inverters
- Industrial motor drives
- Medium-voltage drives
- Railway main and auxiliary inverters
- Uninterruptible power supplies (UPS)
- Medical (MRT, CT, X-ray)
- Industrial power supplies
- Commercial e-mobility (E-bus, E-truck, CAV)

Certifications

- Reinforced isolation according to IEC 60664-1
- UL-recognized under E321757 for UL 61800-5-1

Product Details

Parameter	Min	Typical	Max	Unit
Nominal supply voltage		15		V
Supply current @ $f_{IN} = 0$ Hz		58		mA
Supply current, full load			1050	mA
Output power per channel			4	W
Gate voltage		+15 / -10		V
Peak output current (gate current)	-35		+35	A
Switching frequency (f_s)	0		100	kHz
Duty cycle	0		100	%
Creepage distance primary-secondary	15.7			mm
Clearance distance primary-secondary	15.7			mm
Dielectric test voltage	5000			V_{RMS}
Partial discharge extinction voltage	1768			V_{PEAK}
dv / dt immunity, input-to-output			50	kV/ μ s
Operating temperature	-40		+85	$^{\circ}$ C



Design Support

Available Products 2SC0435 Products list (www.power.com/2SC0435)