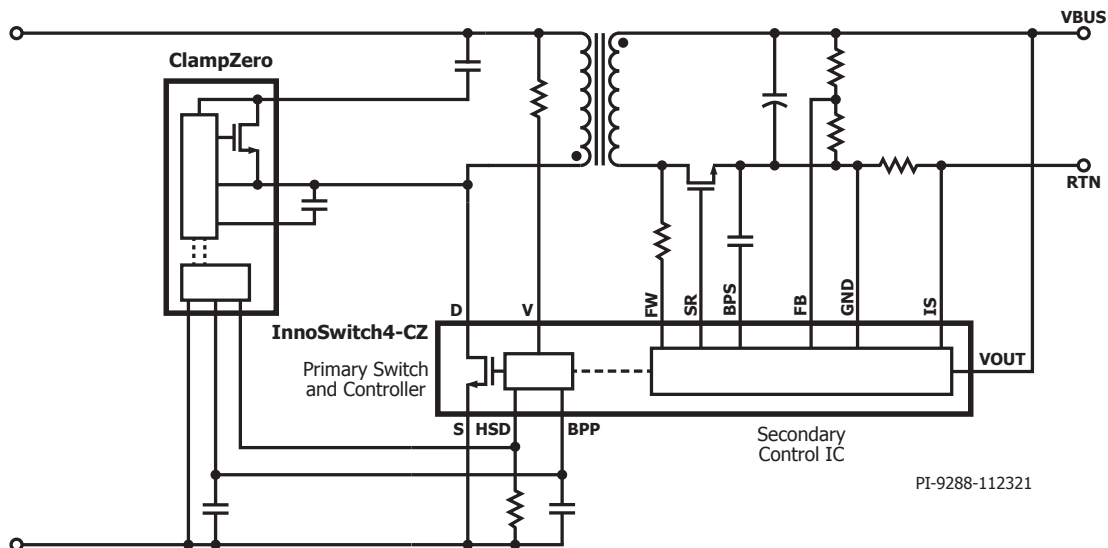


# InnoSwitch™ 4-CZ & ClampZero™

- 95% efficient flyback conversion
  - High frequency active clamp with zero-voltage switching (ZVS)
  - Robust 750 V rated, low-loss PowiGaN™ switch
  - No heatsink design up to 220 W with PFC input
- Integrated FluxLink™ feedback
- Comprehensive fault protection

## Off-Line CC/CV Active Clamp ZVS QR Flyback Switcher IC



## Applications

- High density flyback designs up to 220 W
- High efficiency, compact USB PD adapters
- High efficiency CV/CC/CP power supplies

## Output Power

### InnoSwitch4-CZ

Part Number	85–264 VAC		230 VAC ±15%		385 VDC (PFC Input)	
	Adapter (W)	Open Frame (W)	Adapter (W)	Open Frame (W)	Adapter (W)	Open Frame (W)
INN4072C	42	50	50	55	—	—
INN4073C	60	70	70	75	—	—
INN4074C	75	85	85	90	—	—
INN4075C	80	90	90	100	—	—
INN4076C	100	115	115	125	—	—
INN4077C	115	135	135	145	—	—
INN4174C	—	—	—	—	155	170
INN4175C	—	—	—	—	160	180
INN4176C	—	—	—	—	180	200
INN4177C	—	—	—	—	200	220

### ClampZero + InnoSwitch4-CZ

Part Number	Adapter (W)	Open Frame (W)
CPZ1061M	70	75
CPZ1062M	90	100
CPZ1075M	135	145
CPZ1076M	200	220



InSOP™-24D Package



MinSOP™-16A Package

## Design Support

- Data Sheet** InnoSwitch4-CZ data sheet ([www.power.com/innoswitch4-cz-data-sheet](http://www.power.com/innoswitch4-cz-data-sheet))
- Design Example** 60 W Ultra-compact USB PD adapter using INN4073C+CPZ1062M and MIN1072M (DER-928) ([www.power.com/der-928](http://www.power.com/der-928))
- Design Example** 180 W, 20 V / 9 A power supply using INN4177C-H189, CPZ1076M and HiperPFS™-5 PFS5177F (DER-930) ([www.power.com/der-930](http://www.power.com/der-930))
- Design Example** 130 W USB PD 3.1 / EPR power supply with 5 V / 9 V / 15 V / 20 V / 28 V output using INN4077CH182, CPZ1076M and HiperPFS-5 PFS5177F (DER-957) ([www.power.com/der-957](http://www.power.com/der-957))