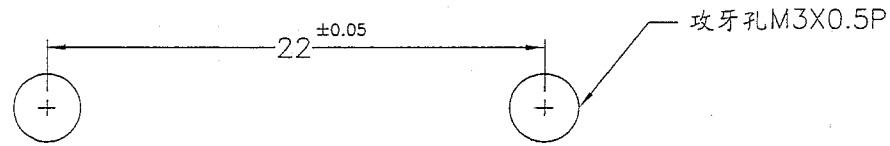
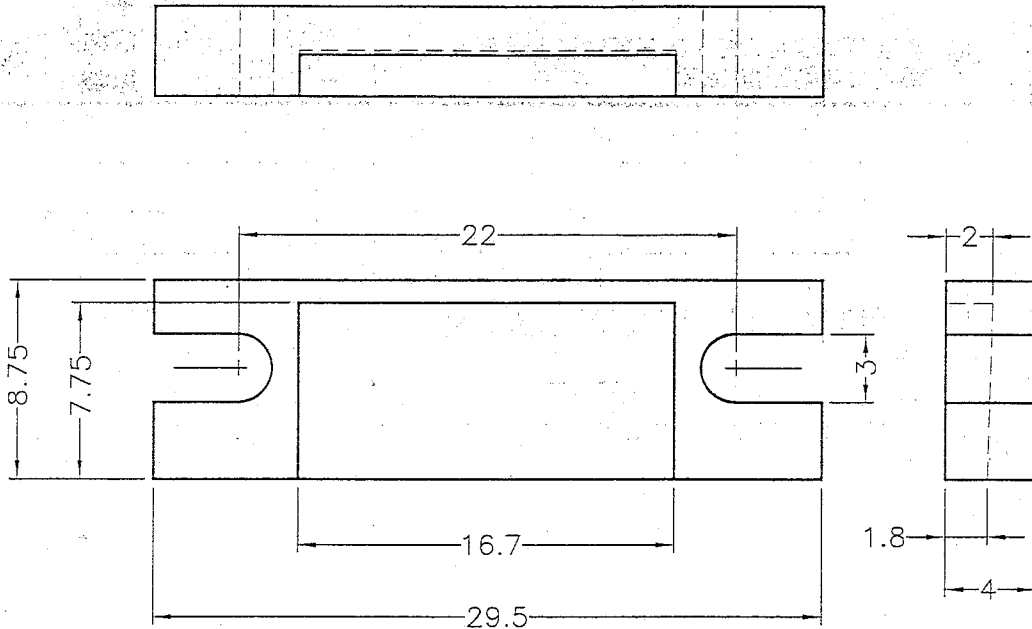


成型尺寸	公差
L≤10	±0.2
10<L≤30	±0.3
30<L≤50	±0.5
50<L≤100	±0.7
100<L≤250	±1.2
ABOVE 250	±1.5

REVISIONS			
REV	DESCRIPTION	DATE	BY

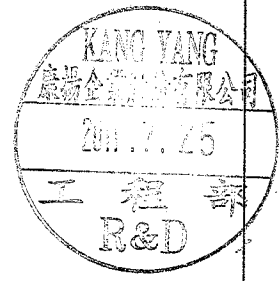


建議散熱片裝配孔

QMFZ2 Component - Plastics Friday, October 24, 2003 E235269  
 NAN YA PLASTICS (HUI ZHOU) CORP LTD  
 YONGSHI DA DAO SHI WAN TOWN HUIZHOU GUANGDONG CHINA  
 Material Designation: 1403G6  
 Product Description: Polybutylene Terephthalate (PBT), furnished as pellets.  

Color	Min. Thick. (mm)	Flame Class	HWI	HAI	RTI Elec	RTI Imp	RTI Str	IEC GWIT	IEC GWFI
ALL	0.75	V-0	3	0	130	130	140	-	-
	1.5	V-0	2	0	130	130	140	-	-
	3.0	V-0	2	0	130	130	140	-	-

 CTI: 2 HVTR: 1 D495: 6 IEC Ball Pressure (°C): -  
 Dielectric Strength (kV/inm): - Volume Resistivity (10<sup>9</sup>ohm-cm): - Dimensional Stability(%): -  
 ISO Tensile Strength (MPa): - ISO Flexural Strength (MPa): - ISO Heat Deflection (°C): -  
 ISO Tensile Impact (kJ/m<sup>2</sup>): - ISO Izod Impact (kJ/m<sup>2</sup>): - ISO Charpy Impact (kJ/m<sup>2</sup>): -  
 Report Date: 4/23/2003 Underwriters Laboratories Inc®  
 UL94 small-scale test data does not pertain to building materials, furnishings and related contents. UL 94 small-scale test data is intended solely for determining the flammability of plastic materials used in components and parts of end-product devices and appliances, where the acceptability of the combination is determined by ULI.



<p>康揚企業股份有限公司          KANG YANG HARDWARE ENTERPRISE CO., LTD.          康揚塑膠(東莞)有限公司          KANG YANG PLASTIC(DONG GUAN )CO.,LTD.          康哲電腦配件(吳江)有限公司          KANG CHE COMPUTER COMPONENTS(WUJIANG) CO.,LTD.</p>	TITLE		PLASTIC_CLIP		產品規格圖面		
	MATERIAL		PBT UL94V-0+GF		DATE		2011.06.28
	FINISH		NATURAL		DRAWN		ROBERT
	COLOR		NATURAL		CHECK		孫益建
PART NUMBER	DRAWING NUMBER		UNLESS OTHERWISE SPECIFIED TOLERANCE		APPROVED		
EM-285V0	EM-285		SEE ABOVE		Kang		
SIZE	SCALE	UNIT	REV				
A4	3:1	mm	A				